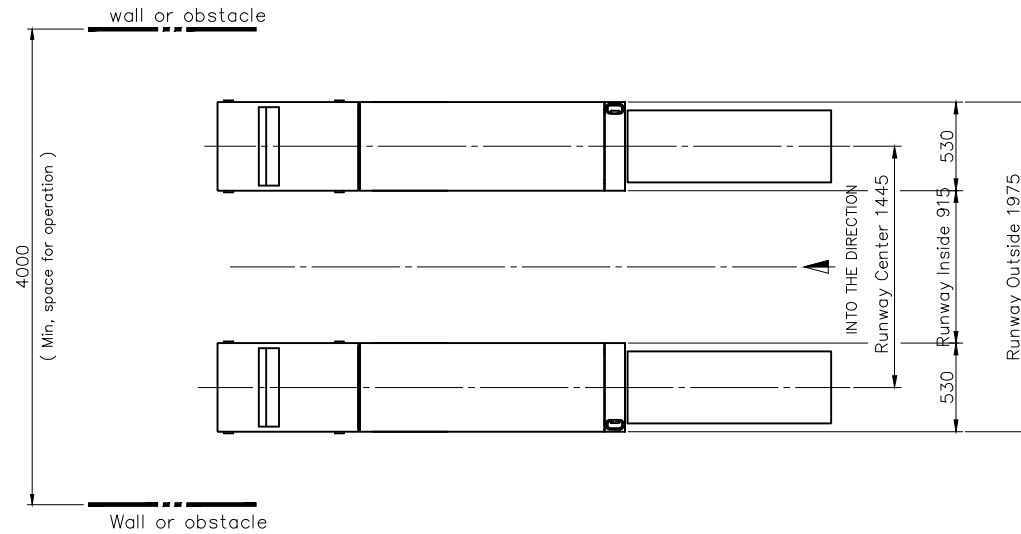
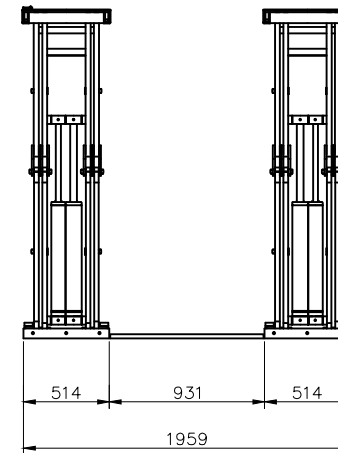
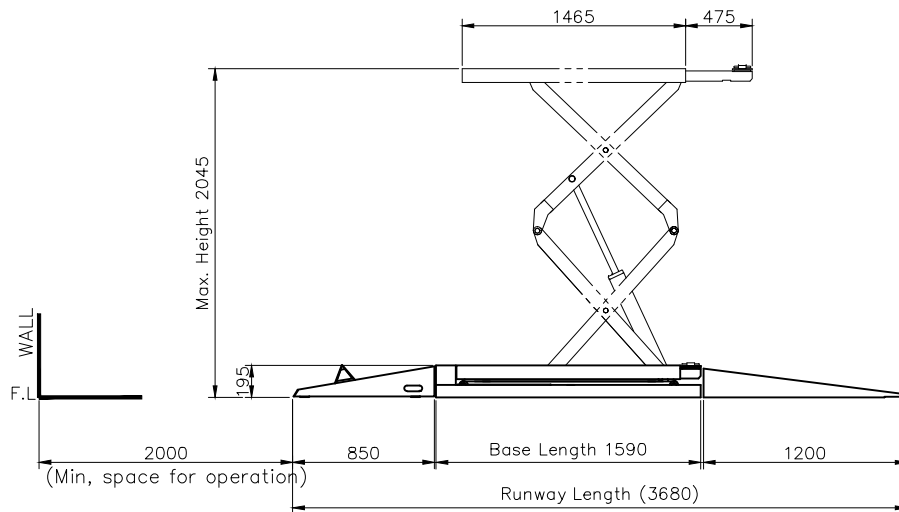



NO	DATE	REVISION & DESCRIPTION	SIGNATURE	
			REVIEWED	CHECKED
△				
△				



SPECIFICATION		
MODEL NO.	SL-34DX Onground	
MAX(CAPACITY)	3,300 kg	
MAX.HEIGHT	2,045 mm	
LOWEST HEIGHT	195 mm	
SIZE	1,975W x 3680L x 195H	
POWER & MOTOR	Single	2.5HPx4Px220Vx60Hz
	3phase	2HPx4Px220V/380Vx60Hz
LIFTING TIEM	2500kg	45 sec.
	Unloaded	38 sec.
LOWERING TIEM	2500kg	20 sec.
	Unloaded	30 sec.
OPWERATION METHOD	Control panel and/or Wired remote control type.	
TOTAL WEIGHT	1012kg	



NO.	DESCRIPTION	WEIGHT OR SIZE	MATERIAL	Q'TY	REMARK
ANOTHER	APPROVED BY.				TITLE. SL-34DX Onground-TYPE 
	CHECKED BY.				
	DESIGNED BY.	YS.Y.			
	DATE.	2012. 04. 05			
	SCALE.				
	DWG NO.	C500000C			