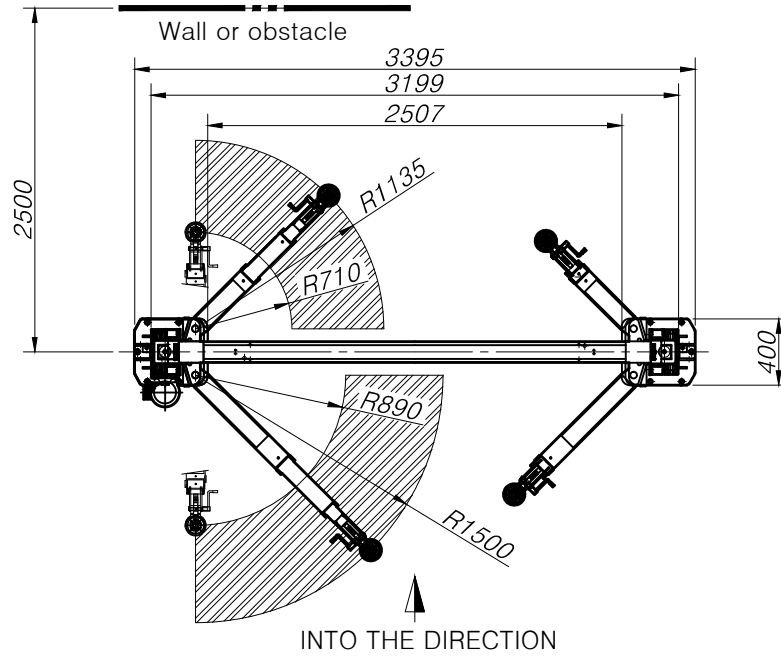
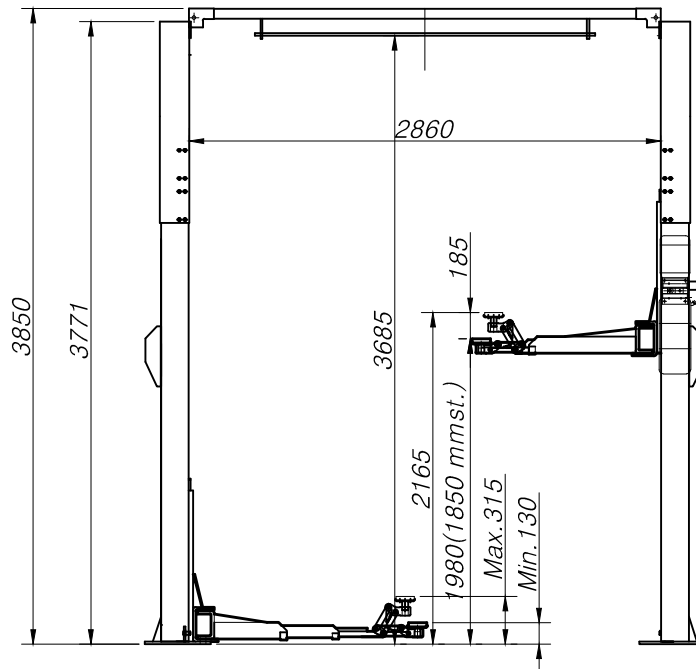


NO	DATE	REVISION & DESCRIPTION	SIGNATURE	
			REVIEWED	CHECKED
△				
△				



SPECIFICAITON	
MODEL NO.	SL-2900FR
MAX(CAPACITY)	4,000 Kg
MAX.HEIGHT	1,980 ~2,165 mm
LOWEST HEIGHT	130 ~ 315 mm
SIZE (mm)	3,850(H)~2,860(L)~3,395(W)
LIFTING TIME	About 50 sec.
LOWERING TIME	About 30 sec.
POWER & MOTOR	Single 2.5HPx4Px220Vx60Hz
	3phase 2HPx4Px220V/380Vx60Hz
OPERATION METHOD	Control panel and / or wired remote control type



NOTE

1. The place of installation must be horizontal
2. The ground thickness of concrete must be more than 150mm
3. The maximum height installation is 3,850mm as standard, and the lowest is 3,600mm that is able to control it (250mm strain)

NO.	DESCRIPTION	WEIGHT OR SIZE	MATERIAL	Q'TY	REMARK
ANOTHER	APPROVED BY.		TITLE.		
	CHECKED BY.		SL-2900FR 2-POST TYPE LIFT		
	DESIGNED BY.	YS.Y.			
	DATE.	2012.04.05			
	SCALE.				
	DWG NO.				
			POWERREX KOREA		