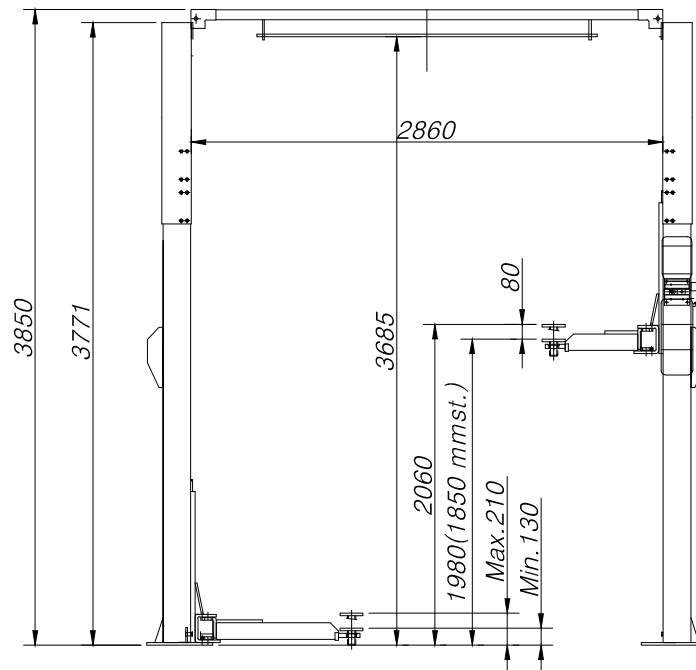
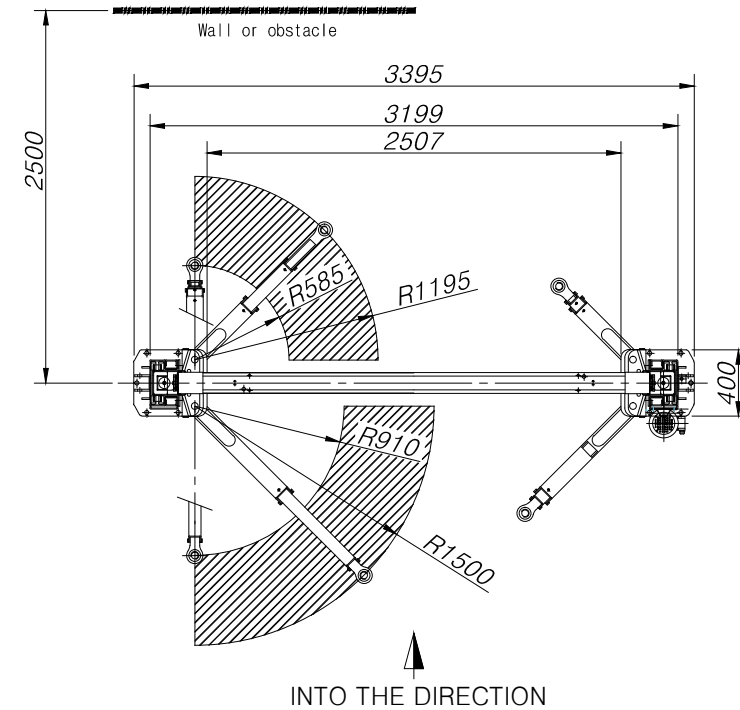


NO	DATE	REVISION & DESCRIPTION	SIGNATURE	
△			REVIEWED	CHECKED
△				



SPECIFICAITON		
MODEL NO.	SL-2900F	
MAX(CAPACITY)	4,000 Kg	
MAX.HEIGHT	1,980 ~2,060 mm	
LOWEST HEIGHT	130 ~ 210 mm	
SIZE (mm)	3,850(H)~2,860(L)~3,395(W)	
LIFTING TIME	About 50 sec.	
LOWERING TIME	About 30 sec.	
POWER & MOTOR	Single	2.5HPx4Px220Vx60Hz
	3phase	2HPx4Px220V/380Vx60Hz
OPERATION METHOD	Control panel and / or wired remote control type	

NOTE

1. The place of installation must be horizontal
2. The ground thickness of concrete must be more than 150mm
3. The maximum height installation is 3,850mm as standard, and the lowest is 3,600mm that is able to control it (250mm strain)

NO.	DESCRIPTION	WEIGHT OR SIZE	MATERIAL	Q'TY	REMARK
ANOTHER	APPROVED BY.		TITLE.		
	CHECKED BY.		SL-2900F 2-POST TYPE LIFT		
	DESIGNED BY.	YS.Y.			
	DATE.	2012.04.05			
	SCALE.				
	DWG NO.				