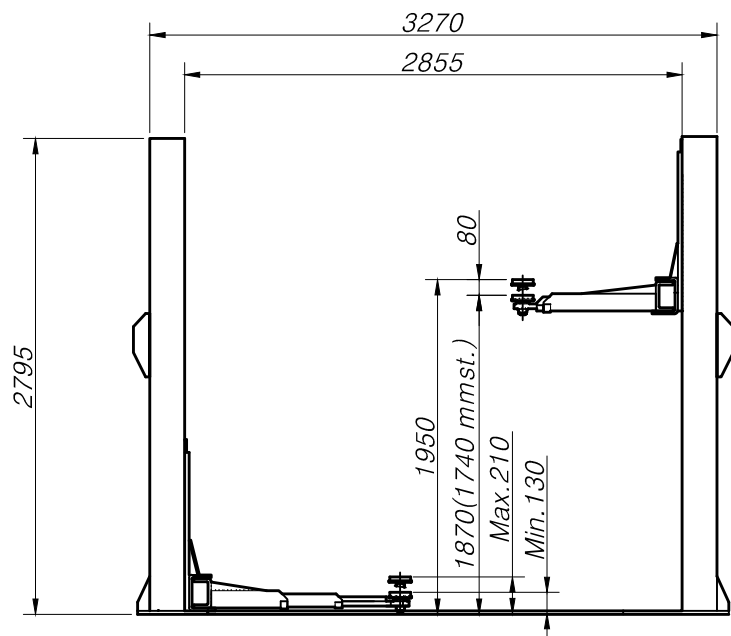
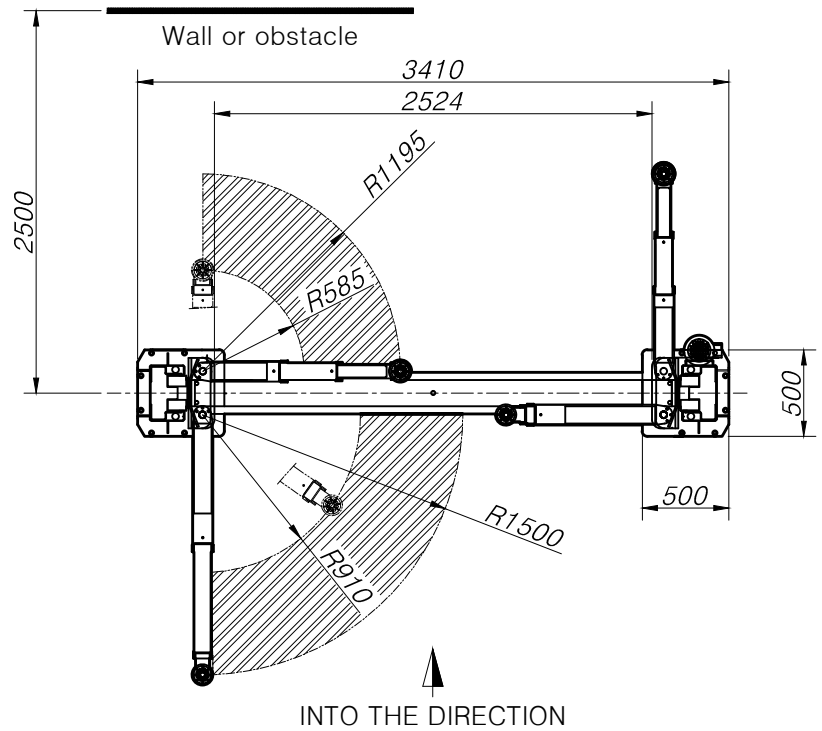


NO	DATE	REVISION & DESCRIPTION	SIGNATURE	
			REVIEWED	CHECKED
△				
△				



SPECIFICATION	
MODEL NO.	SL-2500BP
MAX(CAPACITY)	4,000 Kg
MAX.HEIGHT	1,870 ~1,950 mm
LOWEST HEIGHT	130 ~ 210 mm
SIZE (mm)	2,795(H)~2,855(L)~3,410(W)
LIFTING TIME	About 50 sec.
LOWERING TIME	About 30 sec.
POWER & MOTOR	Single 2.5HPx4Px220Vx60Hz
	3phase 2HPx4Px220V/380Vx60Hz
OPERATION METHOD	Control panel and/or Wired remote control type.

NOTE

1. The place of installation must be horizontal
2. The ground thickness of concrete must be more than 150mm

NO.	DESCRIPTION	WEIGHT OR SIZE	MATERIAL	Q'TY	REMARK
ANOTHER	APPROVED BY.		TITLE. SL-2500BP 2-POST TYPE LIFT		
	CHECKED BY.				
	DESIGNED BY.	YS.Y.			
	DATE.	2012. 02. 10			
	SCALE.				
	DWG NO.				